

Risk Assessment

Risk assessment matrix:

Evaluate risk		Probability		
		Rare	Medium	Frequent
Consequence	Minor	Low risk	Low risk	Medium risk
	Moderate	Low risk	Medium risk	High risk
	Major	Medium risk	High risk	High risk

The end-user must choose the equipment carefully and shall be able to know how to use it, when and where, and how to detect and report any faults, if any.

No PPE offer full protection.

For the risks against which the eyewear is intended to protect refer to the product markings.

Risk(s) reduction:

Inspect eyewear before each use. Replace immediately if there is any sign of damage including scratched lenses.

Ensure eyewear fits securely, minimizes gaps to head, and is not easily dislodged.

Materials which come into contact with the wearer's skin could cause allergic reaction to susceptible individuals.

Eye protectors against high speed particles worn over standard ophthalmic spectacles may transmit impact energy, creating a hazard to the wearer.

If protection is required at extremes of temperature then select safety eyewear with the letter T immediately after the impact letter, e.g. FT or BT.

If the impact letter is not followed by the letter T then the eye protector shall only be used against high speed particles at room temperature.

Scratches and/or other damages to the device may seriously reduce the impact protection level provided by the product;

If any part of the eyewear is deemed unfit for use, the whole product should be discarded.



PAN TAIWAN ENTERPRISE CO., LTD

16F-1, NO. 16, JIAN BA ROAD, TEL:886-2-8226-5199

CHUNG HO DISTRICT, NEW TAIPEI CITY, TAIWAN FAX:886-2-8226-5196

E-Mail:certificate@pantaiwan.com.tw



EU Declaration of Conformity

The manufacturer **PAN TAIWAN ENTERPRISE CO., LTD. 16F-1, NO. 16, JIAN BA ROAD, CHUNG HO DISTRICT, NEW TAIPEI CITY 23511, TAIWAN** declares that the PPE described hereafter

SE2160 Personal eye Protector- Spectacle

is in conformity with the provisions of Regulation (EU) **2016/425** and, where such is the case, with the national standard transposing harmonized standard **No. EN166:2001, EN170, EN172 (for the PPE referred to in Article 8)** is identical to the PPE which is the subject of **EC Certificate of conformity No AC 04021 Rev.4** issued in Sept. 14th, 2018 by **CERTOTTICA Scarl. - Zona Industriale Villanova, I-32013 Longarone BL, Italy, notify body no.0530.**

Done at : New Taipei City, Taiwan

on Sept 20, 2018

Ted Lin
Vice General Manager
PAN TAIWAN ENTERPRISE CO., LTD.



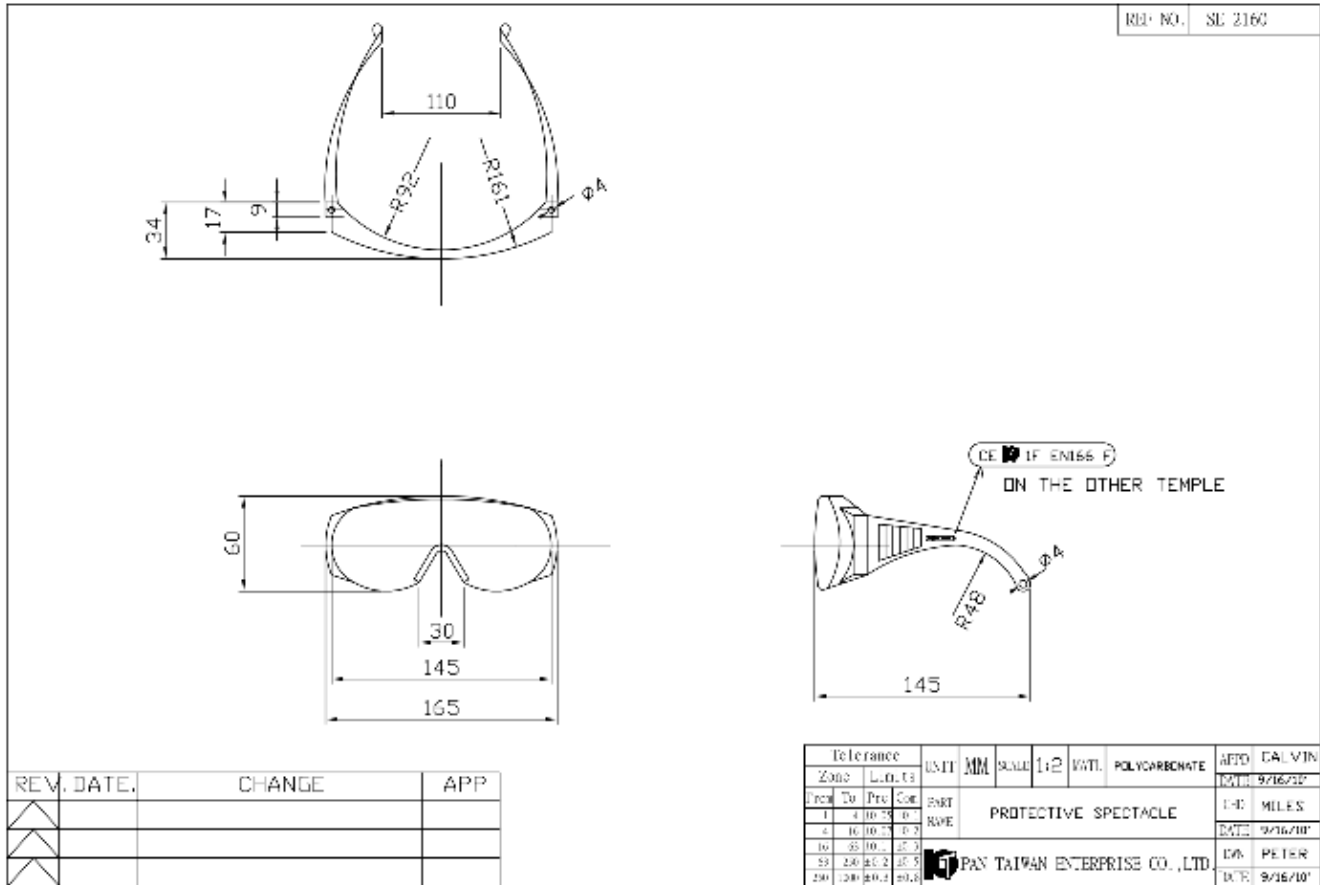
Clear lens



Gray lens



Amber lens



Frame: Nylon

Type:

Supplied by:

Lens: Polycarbonate

Type: PANLTIE ® L-,K-,C- 1250ZH/ LG1302

Supplied by: Teijin Chemicals Ltd.

Temple:

Type: PANLTIE ® L-,K-,C- 1250ZH/ LG1302

Supplied by: Teijin Chemicals Ltd.